



## PFL 30

### Compact LHD for use in mining and tunnel construction

- High breakout forces
- High efficiency
- High productivity
- Convenient and intuitive operation
- Quick and easy maintenance

## DEFINITION OF OPTION / OPTIONAL EQUIPMENT

13667-2

In the following, the selectable equipment of the machine is identified by the terms "option" or "optional equipment."

The option describes equipment that can be selected in addition to the standard machine.

The optional equipment describes equipment that replaces other equipment on the machine.

- 3-point safety entry
- Non-slip and color-contrasting entrances and exits
- Articulation lock
- Swing arm lock
- Brake test function

The following happens automatically in the case of operator absence:

- Travel drive gear shift in neutral position
- Parking brake is activated
- Steering is deactivated

## KEY FEATURES OF THE MACHINE

13259-1

Compact LHD for use in mining and tunnel construction

Bucket volume *	3.0 m <sup>3</sup>
-----------------	--------------------

\* Other options available

Breakout force	110 kN
Tipping load	13,000 kg
Lifting time	5.0 s
Lowering time	4.0 s
Dumping time	2.5 s

- Z-kinematics with two lifting cylinders and one tilting cylinder

## SAFETY FEATURE

13245-4

All machines are designed and manufactured in accordance with the applicable legal requirements. They offer a correspondingly high level of safety for users.

- ROPS/FOPS protective canopy
- Battery main switch, lockable
- Emergency stop button: one in the driver's cab, one outside
- Automatic shutdown when engine-specific parameters are exceeded
- Audible reverse signal

## OPERATING CONDITIONS

12998-5

Permitted ambient temperature *	-20 °C to +40 °C
---------------------------------	------------------

\* Observe the cold start limit temperature of the engine

Permitted longitudinal inclination, maximum	35 %
---	------

Operating height without power reduction, maximum	< 1,500 m
---	-----------

## WEIGHTS AND LOADS

13260-2

Operating weight *	18,500 kg
--------------------	-----------

Permitted payload, maximum *	6,000 kg
------------------------------	----------

Permitted front axle load, maximum	19,000 kg
------------------------------------	-----------

Permitted rear axle load, maximum	9,000 kg
-----------------------------------	----------

\* Depends on selected options and optional equipment

## CHASSIS

13225-2

Articulation angle, maximum	±10°
-----------------------------	------

## Technical data

1140-01-000 - 06.06.2026

- Divided chassis with articulated steering
- Fixed front axle and oscillating rear axle
- Rear tow rings
- Transport rings for assembly and shaft transport

### ENGINE

16011-1

#### CUMMINS QSB 6.7-193 T3 diesel engine

Manufacturer	CUMMINS
Type	QSB 6.7-193 T3
Emission standard EU	Stage III A
Emission standard USA	EPA Tier 3
USA certification	MSHA
Canada certification	CANMET
Output At speed	144 kW 2,200 rpm
Alternator	24 V 70 A
Starter motor	24 V 4.8 kW
Cold start limit temperature	-15 °C

- Catalytic converter with measuring points
- Fuel prefilter and fuel fine filter with water separator
- Dry air filter with pre-separator

### ENGINE (OPTIONAL EQUIPMENT)

13274-3

#### DEUTZ TCD 6.1 L6 diesel engine

Manufacturer	DEUTZ
Type	TCD 6.1 L6
Emission standard EU	Stage V
Emission standard USA	EPA Tier 4F

Output At speed	150 kW 2,300 rpm
Alternator	28 V 100 A
Starter motor	24 V 4 kW
Exhaust after-treatment	DOC DPF SCR
Cold start limit temperature	-15 °C

- Catalytic converter with measuring points
- Fuel prefilter and fuel fine filter with water separator
- For fuels with sulfur content < 50 mg/kg
- Dry air filter with pre-separator

### FUEL SYSTEM

13263-1

Fuel tank capacity	150 l
■ Electric level indicator	

### TRAVEL DRIVE

13264-2

Manufacturer	DANA
Type	32.400
Driving speed:	
1st gear	5 km/h
2nd gear	10 km/h
3rd gear	16 km/h
4th gear	25 km/h
Tractive force (loaded):	
1st gear	185 kN
2nd gear	90 kN
3rd gear	52 kN

## Technical data

1140-01-000 - 06.06.2026

4th gear	30 kN
Climbing power (loaded):	
1st gear	>100%
2nd gear	40 %
3rd gear	22 %
4th gear	12 %

- Hydrodynamic travel drive
- "Full power shift" transmission
- Automated transmission control
- Single-stage torque converter
- Drive reversible under load
- Continuous all-wheel drive

13265-2

### AXES

Manufacturer	KESSLER
Front axle type	D91
Front axle differential	Open
Rear axle type	D91
Rear axle differential	Open

13233-1

### SERVICE BRAKE

- Spring tensioned, hydraulically released (SAHR)
- Wet brake in oil bath

11332-1

### PARKING BRAKE

- Spring tensioned, hydraulically released (SAHR)
- Manual pump to release the brake in case of system failure

### EMERGENCY BRAKE

- The parking brake also acts as an auxiliary brake

13234-1

### TIRES

Tire size	17.50x25
Tire filling	Air

13266-1

### TIRES (OPTIONAL EQUIPMENT)

Tire size	17.50x25
Tire filling	PUR

13267-1

### STEERING

- Hydraulic articulated steering with two double-acting hydraulic cylinders
- Joystick steering
- Emergency steering

15993-1

### HYDRAULICS

Hydraulic tank capacity	125 L
-------------------------	-------

13268-1

- Inspection gauges for min/max level display
- Temperature sensor
- Electrical fill level monitoring
- All fittings as JIC version

### ELECTRICAL SYSTEM

Operating voltage	24 V
Number of batteries	2 pcs.
Battery voltage	12 V
Battery charge	155 Ah

13237-1

## Technical data

1140-01-000 - 06.06.2026

### ELECTRICAL SYSTEM (OPTIONAL)

12822-3

- Jump start socket
- Enhanced sealing of the connectors with grease filling and sealing tape

### LIGHTING

13238-3

All headlights and lights as LED variants:

- Four working lights at the front and rear, two each for close-range and long-range illumination
- Two working lights on the protective canopy, directed to the rear
- Two yellow flashing lights
- Rear working lights active while reversing

### LIGHTING (OPTIONAL)

13244-2

- Turn signal lights red / green

### CAB

13239-7

#### Open cabin

- Open cabin with half door
- ROPS/FOPS certified
- Front protective grille
- Interior lighting
- Reading light
- Document box
- Joystick operation of the kinematics, travel drive and steering
- All drive relevant switches, displays and operations are located within reach of the operator

#### Diagnostic display 4.3"

- Active faults and fault history
- Parameter changes with authorization levels
- Miscellaneous engine data and operating data

#### Driver's seat

- Lap belt
- Vinyl cover
- Adjustable backrest and seat surface
- Height adjustable
- Mechanical suspension

### DRIVER'S CAB (OPTIONAL EQUIPMENT)

13241-3

#### Enclosed cabin

- Enclosed cabin with door
- ROPS/FOPS certified
- Windshield made of laminated safety glass
- Wiper/washer system for windshield
- Heater
- Ventilation
- Interior lighting
- Reading light
- Ventilation for windshield
- Document box
- Joystick operation of the kinematics, travel drive and steering
- All drive relevant switches, displays and operations are located within reach of the operator

#### Driver's seat

- 3-point harness
- Vinyl cover
- Adjustable backrest and seat surface
- Height adjustable
- Mechanical suspension

## Technical data

1140-01-000 - 06.06.2026

### DRIVER'S CAB(OPTIONAL)

13243-3

- Air conditioning system
- Rearview camera system
- Vandalism protection
- Reverse signal acknowledgeable
- Driver's seat contact switch
- Driver's seat seatbelt contact switch
- Brake test function
- Engine start warning with startup delay \*

\* Only in conjunction with the radio remote control option

### WORK EQUIPMENT

13270-2

#### ST bucket

Volume, maximum  
(for bulk density 1.9 - 2.0 t/m<sup>3</sup>):

Heaped	3.0 m <sup>3</sup>
Level	2.5 m <sup>3</sup>

### WORK EQUIPMENT (OPTIONAL)

13273-2

#### LD bucket

Volume, maximum  
(for bulk density ≤1.8 t/m<sup>3</sup>):

Heaped	3.3 m <sup>3</sup>
Level	2.7 m <sup>3</sup>

#### HD bucket

Volume, maximum  
(for bulk density 2.1 - 3.0 t/m<sup>3</sup>):

Heaped	2.8 m <sup>3</sup>
Level	1.6 m <sup>3</sup>

### FIRE PROTECTION

12818-6

- Handheld fire extinguisher

### FIRE PROTECTION (OPTIONAL EQUIPMENT)

12993-3

- HRD fire suppression system (PROTECFIRE) with manual trigger and dry chemical extinguishing agent
- HRD fire suppression system (PROTECFIRE) with automatic trigger and dry chemical extinguishing agent
- HRD fire suppression system (ANSUL) with manual trigger and wet agent solution
- HRD fire suppression system (ANSUL) with automatic trigger and wet agent solution
- Portable fire extinguisher (ANSUL) with 7.7 kg of dry chemical extinguishing agent

### PAINTWORK

13866-1

Cabin/chassis color	RAL 1007
Drive components color	RAL 9005

### ACCESSORIES

12249-5

- Two wheel chocks
- Two hazard warning triangles
- Tool bag
- Safety helmet and hearing protection
- First aid kit

### ACCESSORIES (OPTIONAL)

13988-1

- Spare tire
- Expanded tool kit
- Central lubrication system
- Folding railing on the rear carriage
- Towing hitch with automatic parking brake release

### Remote control operation

- Robust
- High wearing comfort
- Reliable
- Coordinated displays and control elements

### DOCUMENTATION

- A printed operating manual in the local language in the document box
- Operating manual, spare parts list and circuit diagrams in electronic form via online access

11344-3

### DOCUMENTATION (OPTIONAL)

- An additional operating manual in local language, in printed form, included with the machine
- A spare parts list in local language or English, in printed form

12825-4

### MACHINE SOFTWARE

- Interface language in local language

12263-2

### MAINTENANCE KITS (OPTIONAL EQUIPMENT)

- Service package, 2000 operating hours
- Service package, 3000 operating hours
- Service package, 5000 operating hours

12824-3

### PAUS CONNECT CLOUD (OPTIONAL)

11355-8



The PAUS CONNECT CLOUD collects and visualizes data, messages or location information of the machine.

The data is transmitted to the cloud using a built-in telemetry unit.

Your advantages:

- Faster service
- Lifecycle cost management
- Data transmission via existing wi-fi and/or cellular networks
- Data buffering of all data in case of no connectivity (up to 30 days)
- Access to the PAUS CONNECT CLOUD
- Remote diagnostics/remote maintenance
- Statistical usage analysis
- Vibration monitoring
- Individual evaluation and statistics

### CUSTOMER SERVICE

11353-2

Repair work and maintenance work are central points in customer support. Here, PAUS is broadly positioned and offers its customers and dealers worldwide an extensive service program. Trained employees are available on our service hotline, as are competent contact persons at our local dealers.

11354-2

### SPARE PARTS

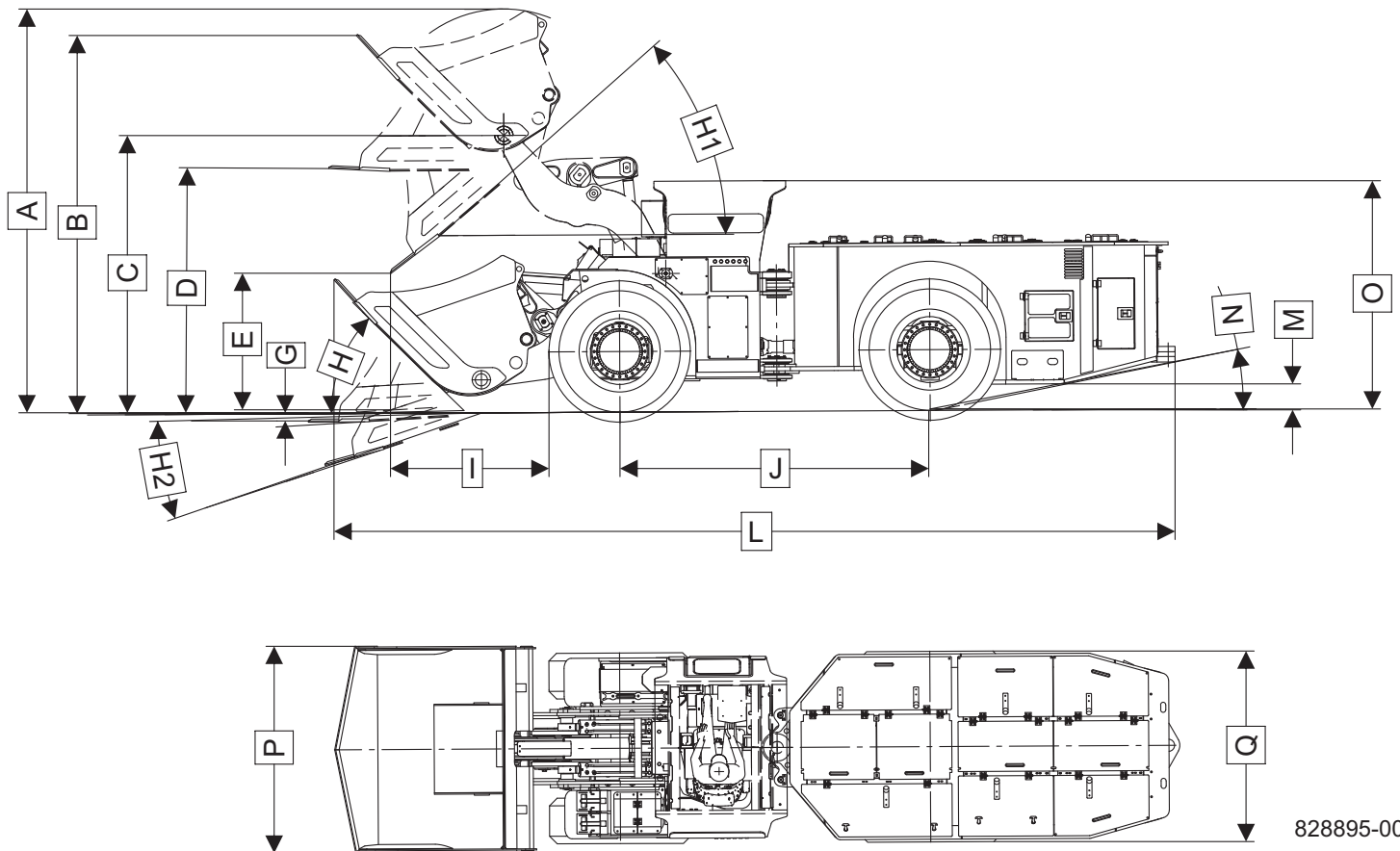
We attach great importance to a high level of availability of PAUS spare parts. In addition to maintenance and service parts, which are available at any time, customers and dealers are able to purchase spare parts for engines, axles, transmissions, etc. easily and quickly through us. Benefit from our on-line catalog with refined spare parts lists.

# Technical data

1140-01-000 - 06.06.2026

13277-3

## DIMENSIONS



828895-00

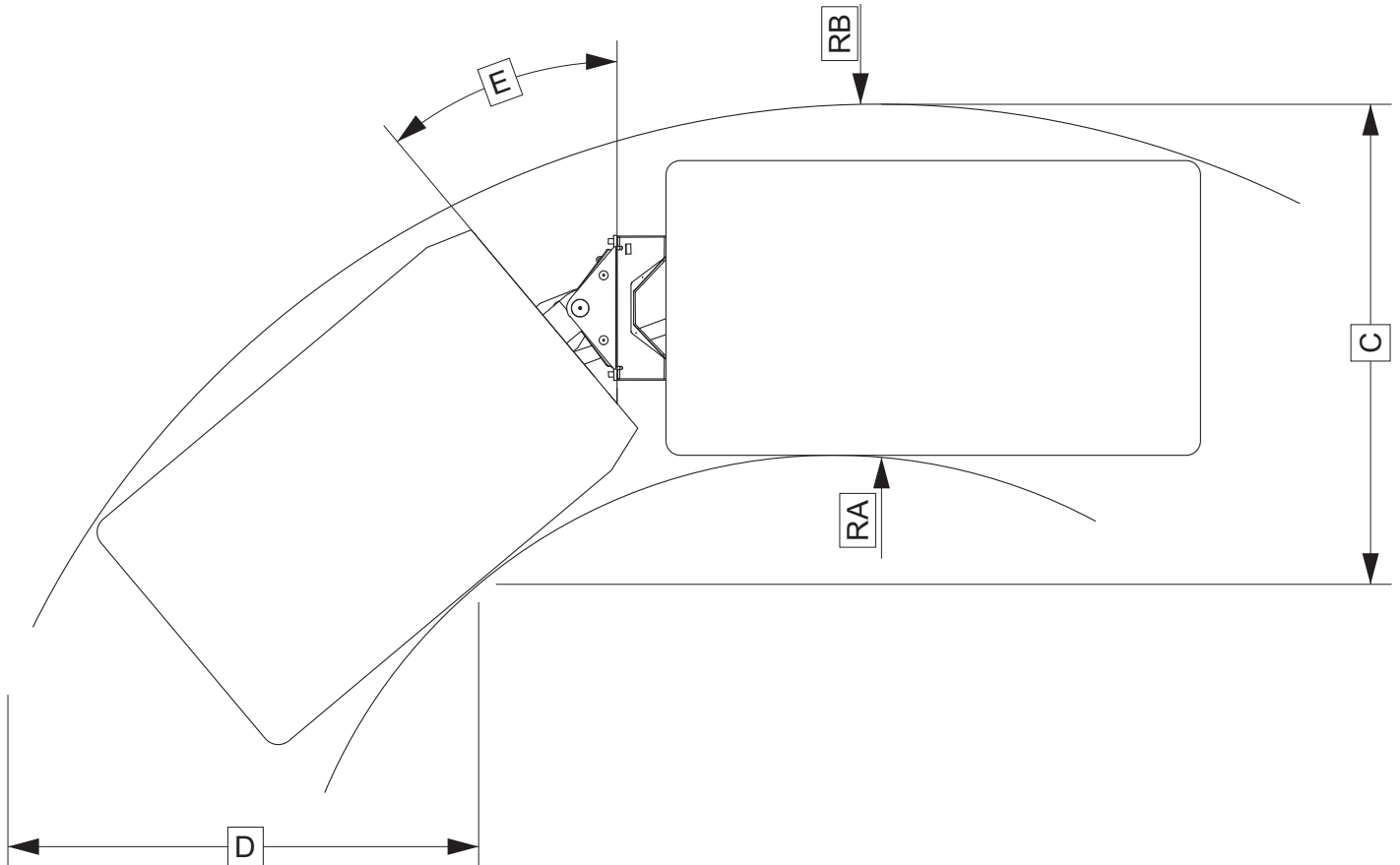
Dimension	Value	Unit
A	4,000	mm
B	3,740	mm
C	2,740	mm
D	2,390	mm
E	1,380	mm
G	80	mm
H	44	°
H1	40	°
H2	15	°

## Technical data

1140-01-000 - 06.06.2026

Dimension	Value	Unit
I	1,560	mm
J	3,060	mm
L	8,300	mm
M	260	mm
N	11	°
O	2,280	mm
P	2,040	mm
Q	1,880	mm

## TURNING RADII



*The illustration may differ from the scope of delivery*

Dimension	Note	Value	Unit
RA		3250	mm
RB		5900	mm
C		3600	mm
D		3600	mm
E	Steering angle, maximum	40	°