



## PScale 8-T

Compact scaler for mounting a hydraulic hammer for use in underground mining

- Best price / power-to-weight ratio
- Largest scaling cover in its class
- Sensitive control system
- Comfort cabin
- Ultra-compact design

## DEFINITION OF OPTION / OPTIONAL EQUIPMENT

13667-2

In the following, the selectable equipment of the machine is identified by the terms "option" or "optional equipment."  
The option describes equipment that can be selected in addition to the standard machine.  
The optional equipment describes equipment that replaces other equipment on the machine.

## KEY FEATURES OF THE MACHINE

12226-9

Compact scaler for mounting a hydraulic hammer for use in underground mining

Working height, maximum	8.0 m
-------------------------	-------

## SAFETY FEATURE

16298-1

All machines are designed and manufactured in accordance with the applicable legal requirements. They offer a correspondingly high level of safety for users.

Some safety features at a glance:

- ROPS/FOPS protective canopy
- Battery main switch, lockable
- EMERGENCY STOP button: 1x in driver's cab, 1x outside
- Engine start warning with startup delay
- Audible reverse signal
- 3-point safety entry
- Emergency exit
- Non-slip and color-contrasting entrances and exits
- Articulation lock
- Brake test function
- Warning when starting the machine
- Alarm when the door is open

The following happens automatically in the case of operator absence:

- Travel drive gear shift in neutral position
- Parking brake is activated

## OPERATING CONDITIONS

12224-9

Permitted ambient temperature *	-20 °C to +50 °C
---------------------------------	------------------

*\* Observe the cold start limit temperature of the engine*

Permitted longitudinal inclination, maximum	35 %
---	------

Operating height without power reduction, maximum	< 1,500 m
---	-----------

## WEIGHTS AND LOADS

12672-3

Operating weight *	10,000 kg
--------------------	-----------

Permitted attachment weight, maximum	400 kg
--------------------------------------	--------

Permitted front axle load, maximum	6,500 kg
------------------------------------	----------

Permitted rear axle load, maximum	6,500 kg
-----------------------------------	----------

*\* Depends on selected options and optional equipment*

## CHASSIS

12229-8

Articulation angle, maximum	±8°
-----------------------------	-----

- Divided chassis with articulated steering
- Fixed front axle and oscillating rear axle
- Automatic lock function of the oscillating axle by swiveling the boom

## ENGINE

12230-11

### Diesel engine CATERPILLAR C4.4

Manufacturer	CATERPILLAR
Type	C4.4

## Technical data

6111-00-000 - 18.04.2026

Emission standard EU	Stage III A
Emission standard USA	EPA Tier 3
Output At speed	96.5 kW 2,200 rpm
Alternator	28 V 100 A
Starter motor	24 V 4.5 kW
Cold start limit temperature	-15 °C

- Catalytic converter with measuring points
- Fuel prefilter and fuel fine filter with water separator
- Manual fuel feed pump
- Dry air filter with pre-separator

16398-1

### ENGINE (OPTIONAL EQUIPMENT)

#### Diesel engine CATERPILLAR C4.4

Manufacturer	CATERPILLAR
Type	C4.4
Emission standard EU	Stage V
Emission standard USA	EPA Tier 4F
Output At speed	98 kW 2,200 rpm
Alternator	28 V 100 A
Starter motor	24 V 5.5 kW
Exhaust after-treatment	DOC DPF SCR
Cold start limit temperature	-25 °C

- Fuel prefilter and fuel fine filter with water separator
- Dry air filter with pre-separator

#### Diesel engine DEUTZ TCD 4.1 L4

Manufacturer	DEUTZ
Type	TCD 4.1 L4
Emission standard EU	Stage V
Emission standard USA	EPA Tier 4F
Output At speed	105 kW 2,200 rpm
Alternator	28 V 100 A
Starter motor	24 V 4 kW
Exhaust after-treatment	DOC DPF SCR
Cold start limit temperature	-15 °C

- Fuel prefilter and fuel fine filter with water separator
- For fuels with sulfur content < 10 mg/kg
- Manual fuel feed pump
- Dry air filter with pre-separator

12233-6

### FUEL SYSTEM

Fuel tank capacity	130 l
<ul style="list-style-type: none"> <li>■ Electric level indicator</li> <li>■ Shut-off valve to prevent fuel leakage in the event of a hose breakage</li> </ul>	

12234-6

### DRIVE

Forward speed, maximum	18 km/h
Reverse speed, maximum	18 km/h
Tractive force, maximum	65 kN
Gradeability, maximum	40 %

## Technical data

6111-00-000 - 18.04.2026

- Hydrostatic drive
- Drive reversible under load
- All-wheel drive

### AXES

12236-4

Manufacturer	DANA
Front axle type	112
Front axle differential	100 %
Rear axle type	112
Rear axle differential	Open

### SERVICE BRAKE

11330-3

- Hydraulic foot brake as 2-circuit external force brake system
- Wet brake in oil bath

### PARKING BRAKE

11332-1

- Spring tensioned, hydraulically released (SAHR)
- Manual pump to release the brake in case of system failure

### EMERGENCY BRAKE

11333-1

- One circuit of the service brake

### TIRES

15715-1

Tire size	9.00x20
Tire type	Solid rubber

### STEERING

12241-1

- Hydraulic articulated steering with a double-acting hydraulic cylinder
- Steering wheel steering
- Emergency steering

### HYDRAULICS

12240-6

1. Hydraulic tank capacity	80 l
2. Hydraulic tank capacity	100 l
Operating pressure	200 bar

- Two separate hydraulic circuits, for hammer hydraulics and travel drive/working hydraulics
- Load sensing, electrohydraulically pilot-controlled
- Inspection gauges for min/max level display
- Electric level indicator
- Electrical filter monitoring
- All fittings as JIC version
- All hydraulic motors and pumps in cast iron
- Manual pump for filling the hydraulic tanks
- Manual pump for tilting the cabin for maintenance work
- Hydraulic oil ATF

### ELECTRICAL SYSTEM

12243-6

Operating voltage	24 V
Number of batteries	2 pcs.
Battery voltage	12 V
Battery charge	110 Ah

### ELECTRICAL SYSTEM (OPTIONAL)

12822-3

- Jump start socket
- Enhanced sealing of the connectors with grease filling and sealing tape

## Technical data

6111-00-000 - 18.04.2026

### COMPRESSED AIR SYSTEM

12254-3

- Piston Compressor
- Compressed air reservoir
- Air pressurization of hammer case to avoid contamination

- Adjustable backrest and seat surface
- Mechanical suspension

### LIGHTING

12244-4

All headlights and lights as LED variants:

- Two headlights for road illumination, one each for low and high beam
- Two rear tail lights, with reversing light, parking light, brake light and turn signal
- Two lights at the front, with parking light and turn signals
- Four headlights for the working area
- Four rear headlights
- Two working lights on the telescopic boom
- Two yellow flashing lights

### Diagnostic display 4.3"

- Active faults and fault history
- Parameter changes with authorization levels
- Miscellaneous engine data and operating data

### LIGHTING (OPTIONAL EQUIPMENT)

12984-3

- Two red flashing lights
- Two blue flashing lights

### Enclosed cabin

- Heater with ventilation and filter
- Sliding windows on left and right
- Wiper/washer system for windscreen and rear window
- Interior lighting
- Document box
- Two mirrors
- All driving-related switches and operations within easy reach of the operator
- Front safety screen made of bulletproof glass
- Folding stone guard for windshield
- Hydraulically tiltable for an ideal view of the attachment
- Hydraulic hammer operation with foot switch or joystick
- Adjustable hammer interval time and impact frequency
- Driver display 4.3"

### LIGHTING (OPTIONAL)

12253-6

- Two additional working lights on the front of the cabin
- Rear working lights active while reversing
- Two driving direction lights red / green

### DRIVER'S CAB (OPTIONAL EQUIPMENT)

12985-7

- Two heated exterior mirrors
- Driver display 7"

### CAB

12245-10

#### Driver's seat

- Lap belt
- Headrest
- Vinyl cover

#### Driver's seat

- 3-point harness
- Headrest
- Vinyl cover
- Adjustable backrest and seat surface
- Air suspension

# Technical data

6111-00-000 - 18.04.2026

## DRIVER'S CAB(OPTIONAL)

12252-9

- Air conditioning system
- Rearview camera system
- Reverse signal acknowledgeable
- Hill start assist with automatic release / engagement of the parking brake
- Radio with USB port
- Inclination bar on display
- Driver's seat contact switch
- Driver's seat seatbelt contact switch

- Central lubrication system for hydraulic hammer
- Extra long pointed chisel
- Special hydraulic hammer for scaling operations

## TURRET AND TELESCOPIC BOOM

12246-2

- Lift cylinder with lowering brake valve
- Telescopic boom with two extensions
- All bearing points made of highly wear-resistant plain bearings
- Robust deflector to protect telescopic boom against dirt
- Rock protector at the boom to protect hydraulic fittings
- Rock deflector on top of the boom

## EPIROC SB 202 T hydraulic hammer

Manufacturer	EPIROC
Type	SB 202 T
Operating weight	199 kg
Number of strokes, minimum	1,250per minute
Number of strokes, maximum	1,700per minute

- Central lubrication system for hydraulic hammer
- Pointed chisel

## EPIROC SB 302 T hydraulic hammer

Manufacturer	EPIROC
Type	SB 302 T
Operating weight	315 kg
Number of strokes, minimum	950per minute
Number of strokes, maximum	1,250per minute

- Central lubrication system for hydraulic hammer
- Pointed chisel

## FRONT DOZER BLADE

12247-2

- Hydraulic lift
- Hoisting unit protected against falling rocks

## WORK EQUIPMENT (OPTIONAL EQUIPMENT)

12982-4

### NPK PH-2TS hydraulic hammer

Manufacturer	NPK
Type	PH-2TS
Operating weight	260 kg
Number of strokes, minimum	500per minute
Number of strokes, maximum	1,200per minute

## WORK EQUIPMENT (OPTIONAL)

12472-14

### Dust suppression system

Water tank capacity	130 l
<ul style="list-style-type: none"> <li>■ Water pump</li> <li>■ Flat spray nozzle on hydraulic hammer</li> </ul>	

## Technical data

6111-00-000 - 18.04.2026

### Front supports

- Hydraulic telescopic support
- Right and left, fixed mounted on the front end
- Vertically extending
- Lowering brake valves in the hydraulic cylinders
- Alarm when the supports are moved

### Mechanical quick-change system

- For different varieties of attachments
- Mounting plate with mechanical lock

### Shock absorption system

- Automatic / deactivatable shock absorption system

### FIRE PROTECTION

12818-6

- Handheld fire extinguisher

### FIRE PROTECTION (OPTIONAL EQUIPMENT)

12993-3

- HRD fire suppression system (PROTECFIRE) with manual trigger and dry chemical extinguishing agent
- HRD fire suppression system (PROTECFIRE) with automatic trigger and dry chemical extinguishing agent
- HRD fire suppression system (ANSUL) with manual trigger and wet agent solution
- HRD fire suppression system (ANSUL) with automatic trigger and wet agent solution
- Portable fire extinguisher (ANSUL) with 7.7 kg of dry chemical extinguishing agent

### PAINTWORK

12248-6

Color RAL 1007 / 7016

### ACCESSORIES

12249-5

- Two wheel chocks
- Two hazard warning triangles
- Tool bag
- Safety helmet and hearing protection
- First aid kit

### ACCESSORIES (OPTIONAL)

13014-3

- Spare tire
- Central lubrication system on basic vehicle
- Plug-in pre-fittings for remote control
- Remote control

### DOCUMENTATION

11344-3

- A printed operating manual in the local language in the document box
- Operating manual, spare parts list and circuit diagrams in electronic form via online access

### DOCUMENTATION (OPTIONAL)

12825-4

- An additional operating manual in local language, in printed form, included with the machine
- A spare parts list in local language or English, in printed form

### MACHINE SOFTWARE

12263-2

- Interface language in local language

### MAINTENANCE KITS (OPTIONAL EQUIPMENT)

12824-3

- Service package, 2000 operating hours
- Service package, 3000 operating hours
- Service package, 5000 operating hours

### PAUS CONNECT CLOUD (OPTIONAL)

11355-8



The PAUS CONNECT CLOUD collects and visualizes data, messages or location information of the machine.

The data is transmitted to the cloud using a built-in telemetry unit.

Your advantages:

- Faster service
- Lifecycle cost management
- Data transmission via existing wi-fi and/or cellular networks
- Data buffering of all data in case of no connectivity (up to 30 days)
- Access to the PAUS CONNECT CLOUD
- Remote diagnostics/remote maintenance
- Statistical usage analysis
- Vibration monitoring
- Individual evaluation and statistics

### CUSTOMER SERVICE

11353-2

Repair work and maintenance work are central points in customer support. Here, PAUS is broadly positioned and offers its customers and dealers worldwide an extensive service program. Trained employees are available on our service hotline, as are competent contact persons at our local dealers.

### SPARE PARTS

11354-2

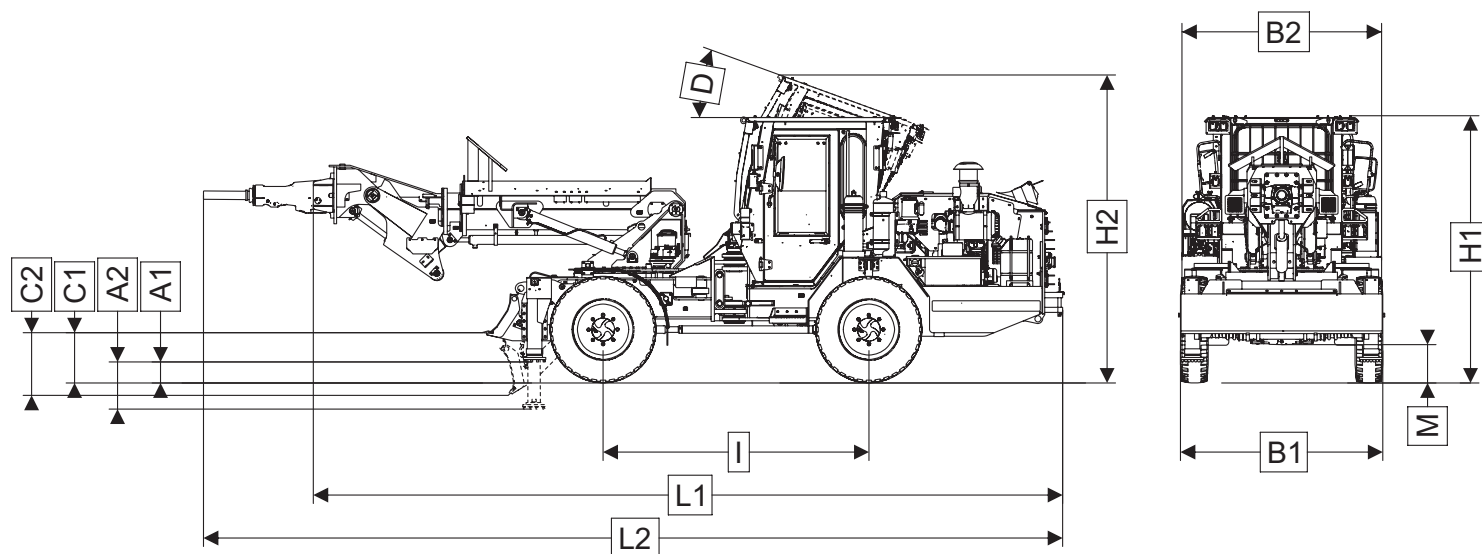
We attach great importance to a high level of availability of PAUS spare parts. In addition to maintenance and service parts, which are available at any time, customers and dealers are able to purchase spare parts for engines, axles, transmissions, etc. easily and quickly through us. Benefit from our online catalog with refined spare parts lists.

# Technical data

6111-00-000 - 18.04.2026

## DIMENSIONS

9010-10



844492-04  
PR00100-01  
PR00032-02

The illustration may differ from the scope of delivery

Dimension	Note	Value	Unit
A1 *	Front supports *	200	mm
A2 *	Front supports *	450	mm
B1		1,925	mm
B2		1,910	mm
C1		480	mm
C2		565	mm

\* Optional

## Technical data

6111-00-000 - 18.04.2026

Dimension	Note	Value	Unit
D		20	°
H1		2,540	mm
H2		2,930	mm
I		2,530	mm
L1	CATERPILLAR C4.4 diesel engine	7,125	mm
	CATERPILLAR C4.4 diesel engine Mechanical quick-change system *	7,000	mm
	DEUTZ TCD 4.1 L4 diesel engine *	7,285	mm
	DEUTZ TCD 4.1 L4 diesel engine * Mechanical quick-change system *	7,160	mm
L2 *	CATERPILLAR C4.4 diesel engine NPK PH-2TS hydraulic hammer (without chisel) *	7815	mm
	CATERPILLAR C4.4 diesel engine EPIROC SB 202 T hydraulic hammer (without chisel) *	7655	mm
	CATERPILLAR C4.4 diesel engine EPIROC SB 302 T hydraulic hammer (without chisel) *	7735	mm
	DEUTZ TCD 4.1 L4 diesel engine * NPK PH-2TS hydraulic hammer (without chisel) *	7975	mm
	DEUTZ TCD 4.1 L4 diesel engine * EPIROC SB 202 T hydraulic hammer (without chisel) *	7815	mm
	DEUTZ TCD 4.1 L4 diesel engine * EPIROC SB 302 T hydraulic hammer (without chisel) *	7895	mm
M		365	mm

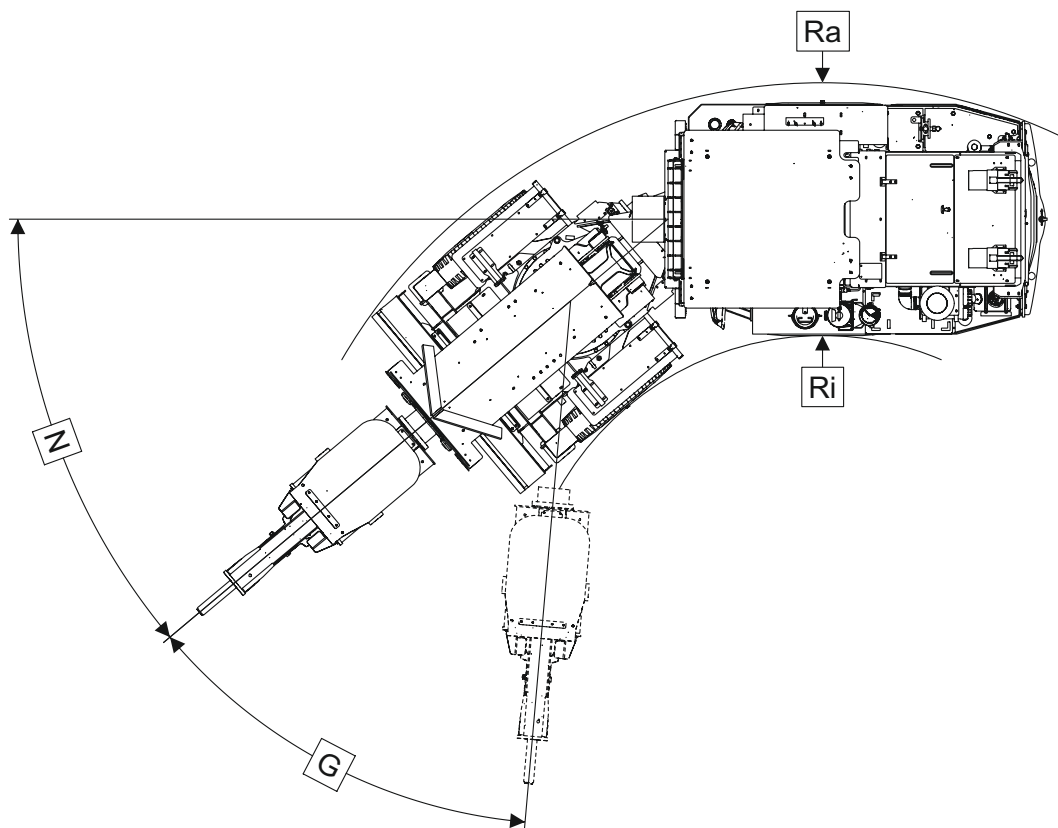
\* Optional

# Technical data

6111-00-000 - 18.04.2026

9011-12

## TURNING RADII

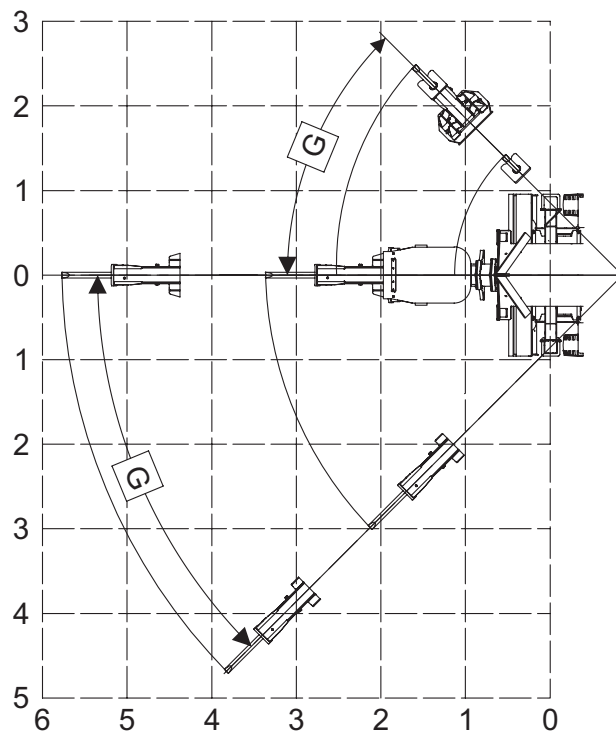
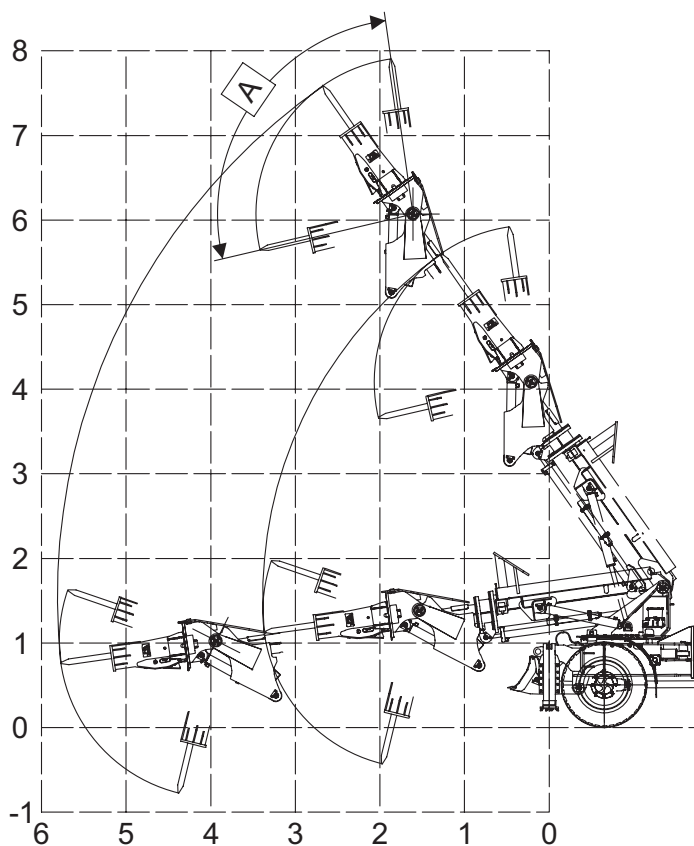


The illustration may differ from the scope of delivery

Dimension	Note	Value	Unit
N	Steering angle, maximum	40	°
G		45	°
Ri		2,505	mm
Ra	CATERPILLAR C4.4 diesel engine	4,595	mm
	DEUTZ TCD 4.1 L4 diesel engine *	4,645	mm

\* Optional

### HYDRAULIC HAMMER WORKING AREA



844492-04  
PR00100-01

*The illustration may differ from the scope of delivery*

Dimension	Note	Value	Unit
A		95	°
G		45	°